

- Low-loss RF SAW filter for mobile systems
- Low amplitude ripple
- No matching network required for operation at 50Ω
- Ceramic package for Surface Mounted Technology (SMT)
- Lead-free production and RoHS compliant

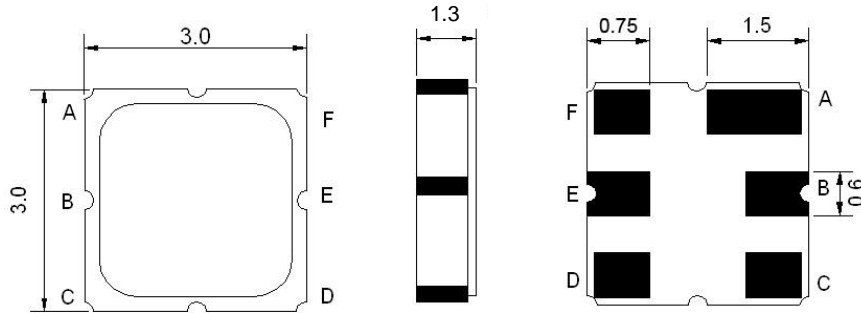


## Electrical Characteristics

MAXIMUM RATING				
PARAMETERS DESCRIPTION	UNIT	MINIMUM	TYPICAL	MAXIMUM
Operating Temperature Range	°C	-40	-	+85
Storage Temperature Range	°C	-40	-	+85
Maximum DC Voltage	V <sub>DC</sub>	-	-	0
Maximum Input Power Level	dBm	-	-	10
Source Impedance	Ω	-	50	-
Load Impedance	Ω	-	50	-
Length x Width	mm <sup>2</sup>	-	3.0 x 3.0	-
Height	mm	-	-	1.3

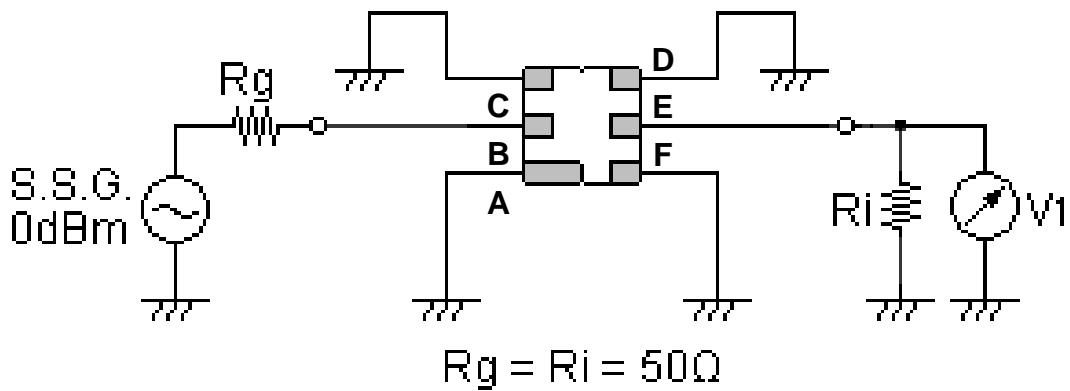
ELECTRICAL SPECIFICATION				
PARAMETERS DESCRIPTION	UNIT	MINIMUM	TYPICAL	MAXIMUM
Center Frequency (Fo)	MHz	-	707	-
Insertion Loss @ 698.00 ~ 716.00MHz	dB		1.8	3.0
Amplitude Ripple (p-p) @ 698.00 ~ 716.00MHz	dB		0.6	2.0
Group Delay Ripple @ 698.00 ~ 716.00MHz	nS		50	100
<b>Absolute Attenuation:</b>				
DC ~ 640.00 MHz	dB	40	50	
640.00 ~ 678.00 MHz	dB	30	35	
736.00 ~ 776.00 MHz	dB	30	45	
776.00 ~ 1500.00 MHz	dB	40	43	
1500.00 ~ 2000.00 MHz	dB	35	42	
2000.00 ~ 3000.00 MHz	dB	20	32	
Input / Output VSWR @ 698.00 ~ 716.00MHz	dB		1.5:1	2.0:1

## Package Dimensions



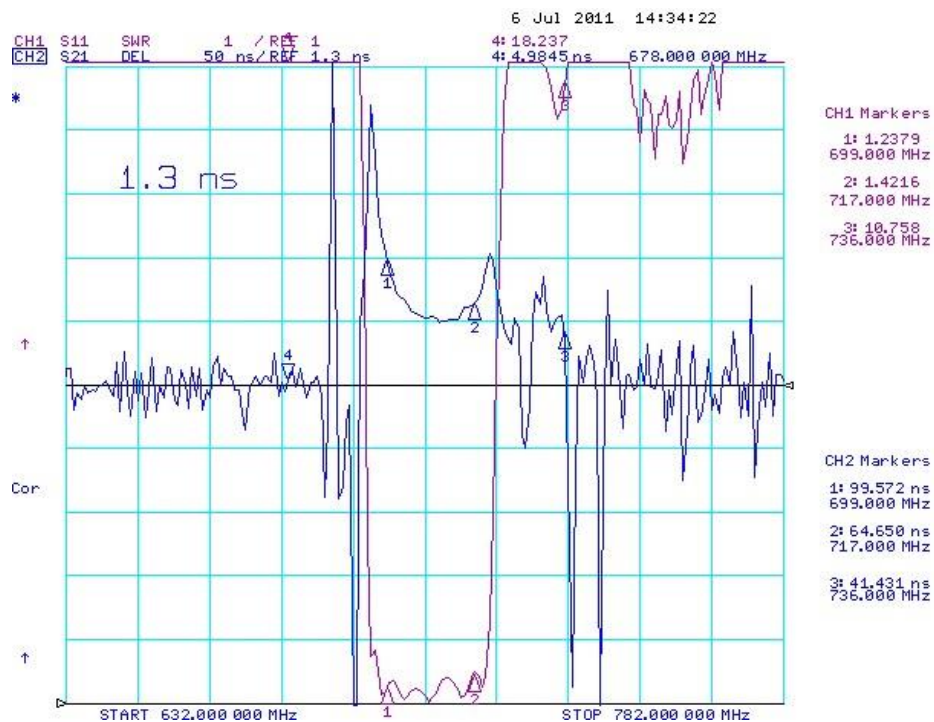
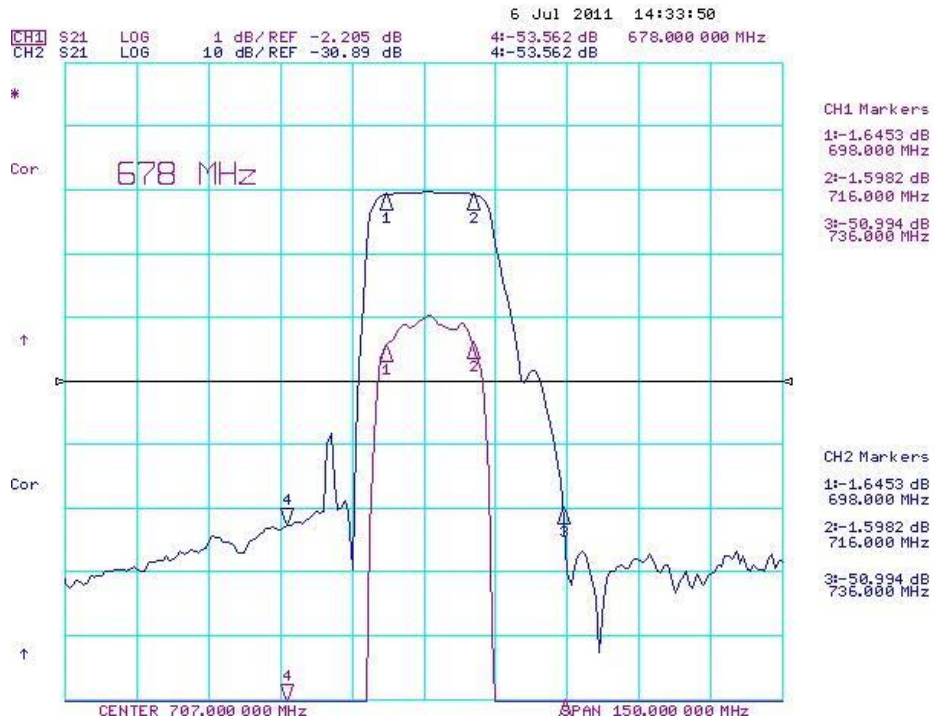
Pin Description	
B	Input
E	Output
A, C, D, F	Ground

## Testing Environment



## Frequency Characteristics

### Frequency Response



## Frequency Response

